

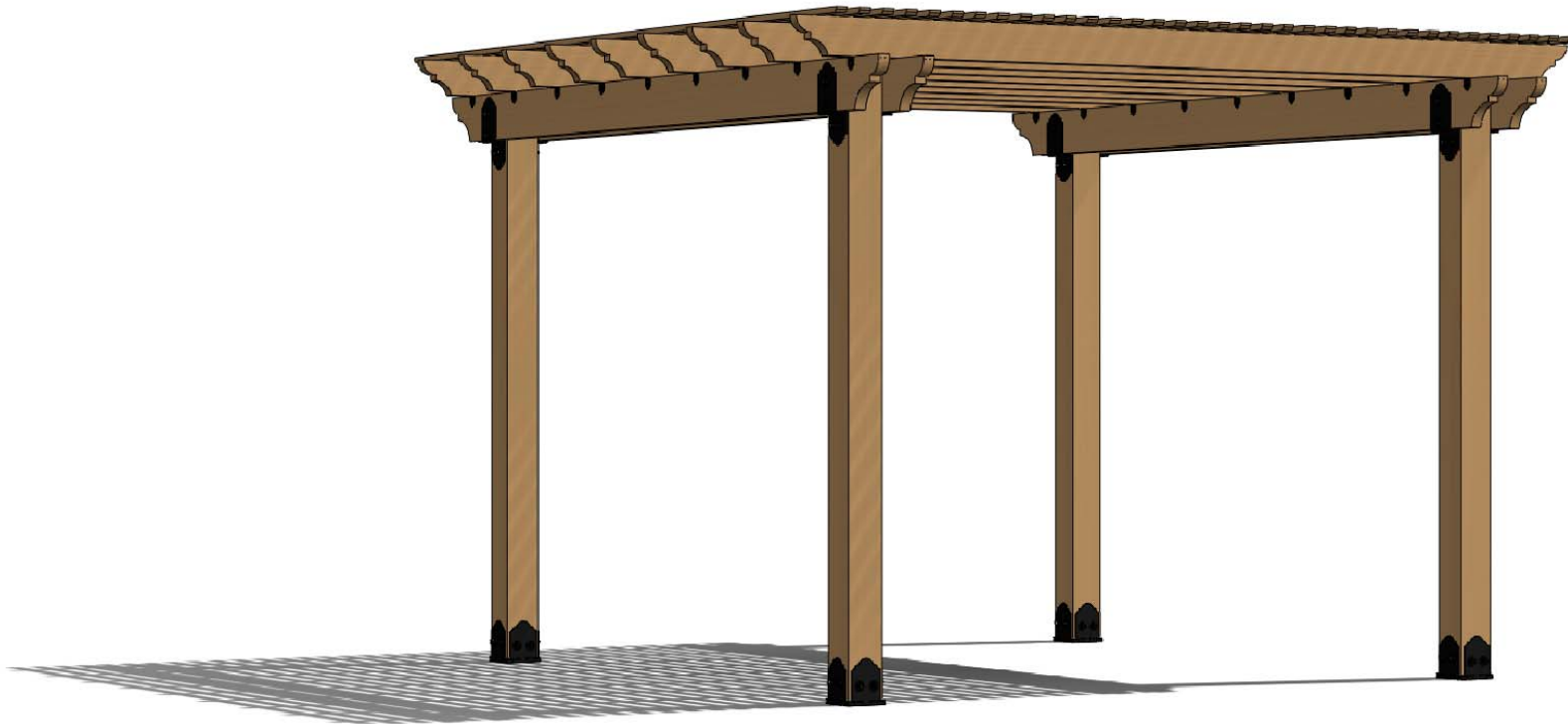
DESIGN

PURCHASE

CONSTRUCT

ENJOY

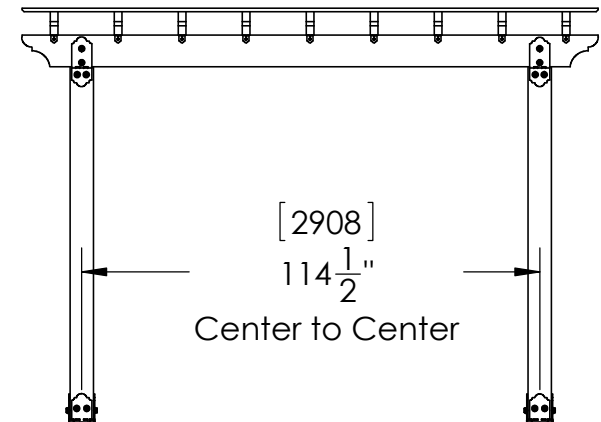
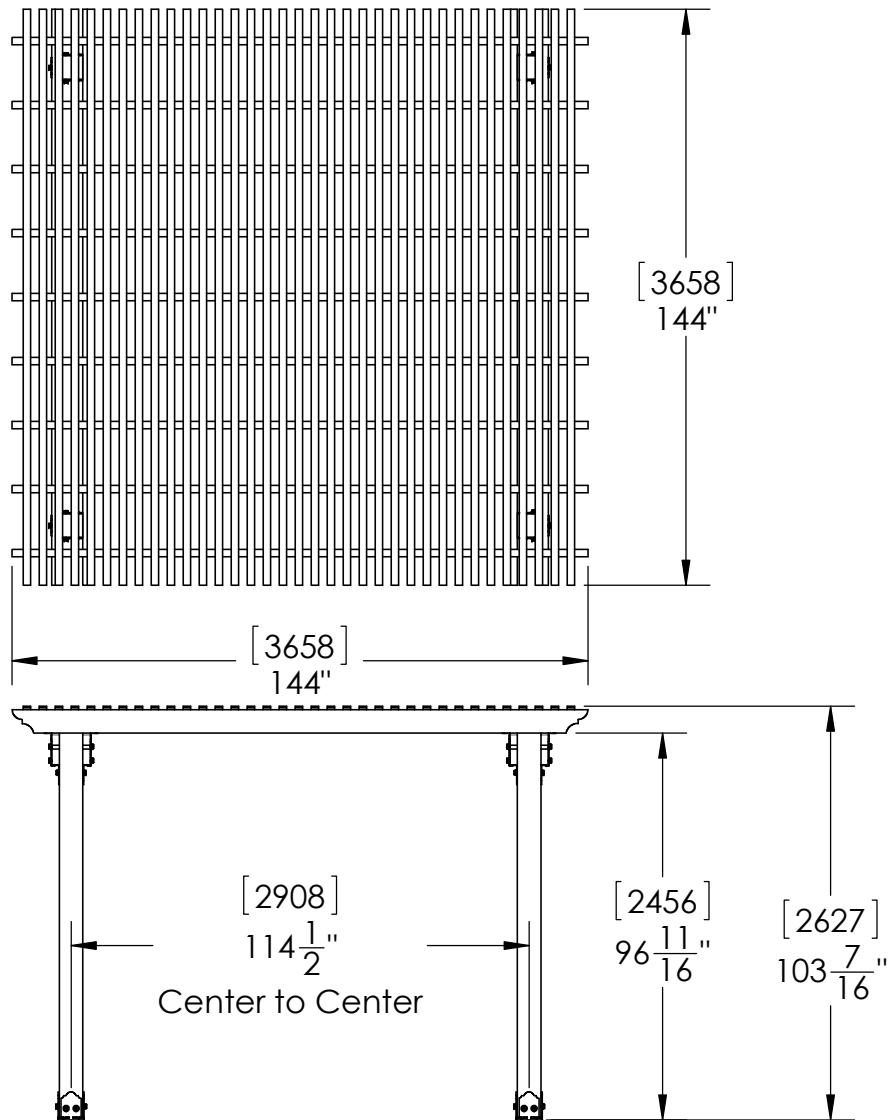
Project 320 Pergola Redwood Patio Shade Structure - Free Standing



OZCO BUILDING PRODUCTS

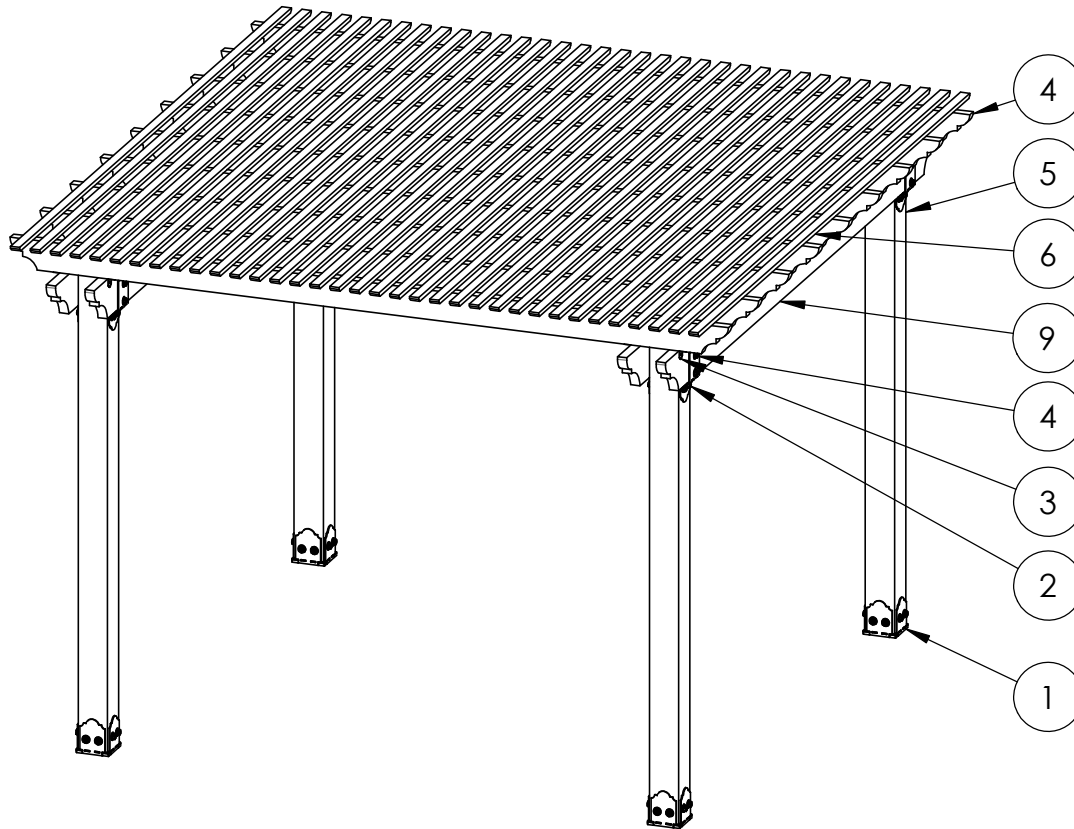
Project 320 Pergola Redwood Patio Shade Structure - Free Standing

V1.00 - Installation Instructions effective May 1, 2015 and reflects information that available as of April 10, 2014. This information is updated periodically and should not be relied upon after May 1, 2015. Please visit www.OZCOBP.com to get current information



Overview

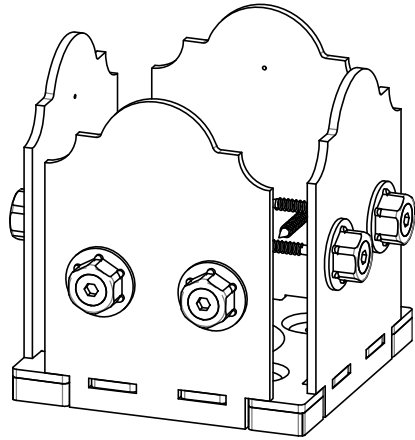
Project 320 Pergola Redwood Patio Shade Structure - Free Standing



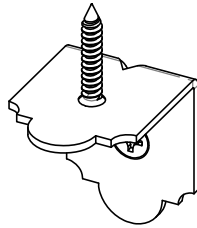
ITEM NO.	QTY.	PART NUMBER	DESCRIPTION
1	4	56608	Assembly, 6x6 Post Base
2	4	56637	Post to Beam Bolt Inline
3	4	56617	2" Standard Rafter Clip
4	9	2x6x12 ConHrt redwood	Rafter
5	4	6x6 ConHrt Post	6x6x96"
6	35	1x2 ConHrt Board	Purlins
7	-	-	3" Screws or Nails (not shown)
8	4	56651	OWT Timber Bolt 8-10"
9	4	2x8 ConHrt Board	2x8x144"

Bill of Material

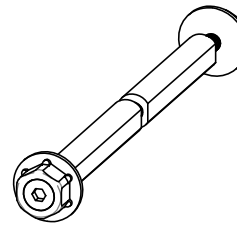
Project 320 Pergola Redwood Patio Shade Structure - Free Standing



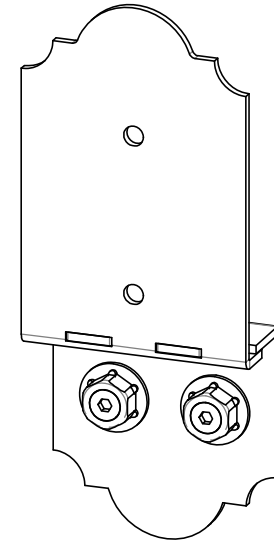
56608



56617



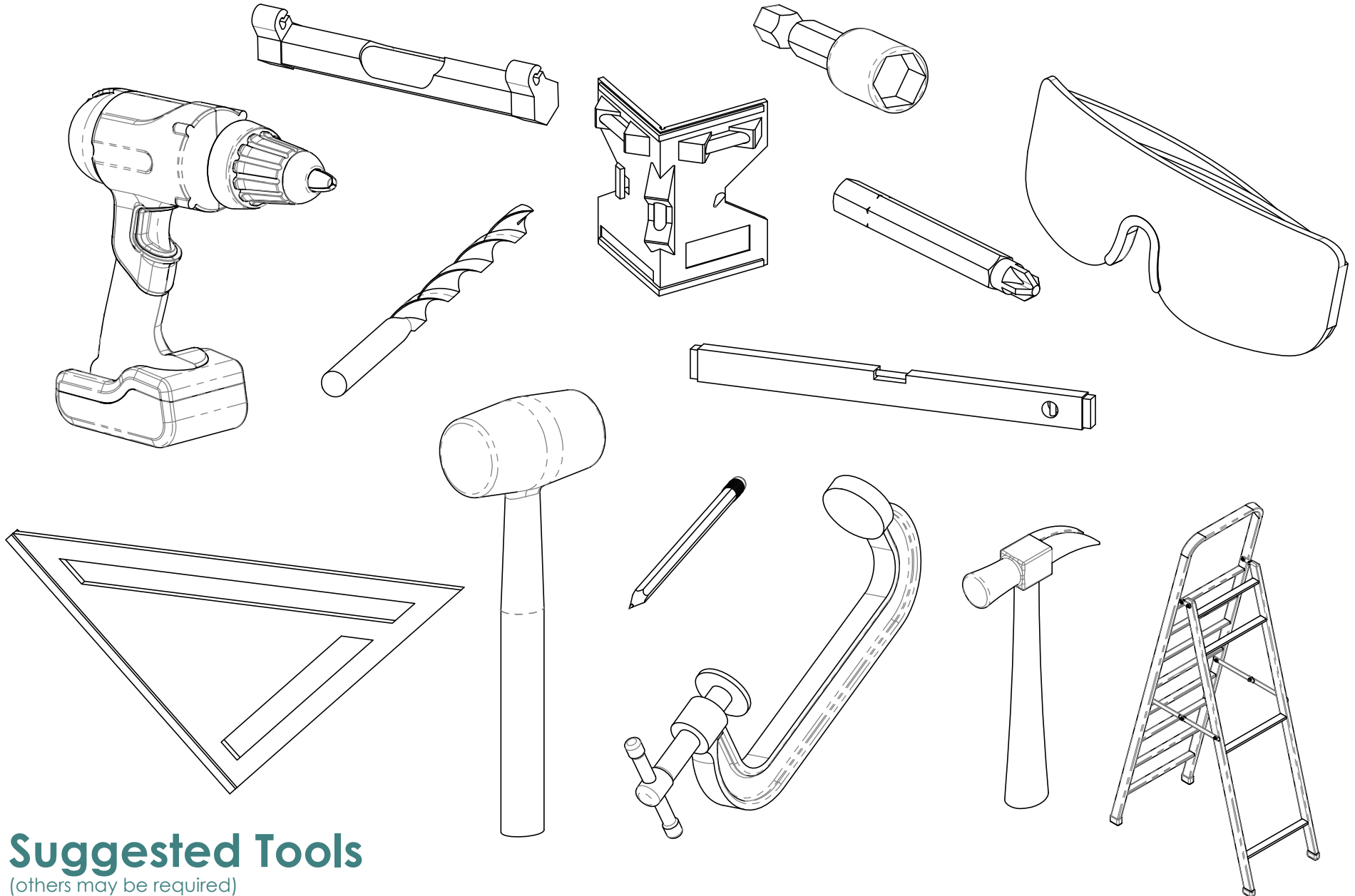
56651



56637



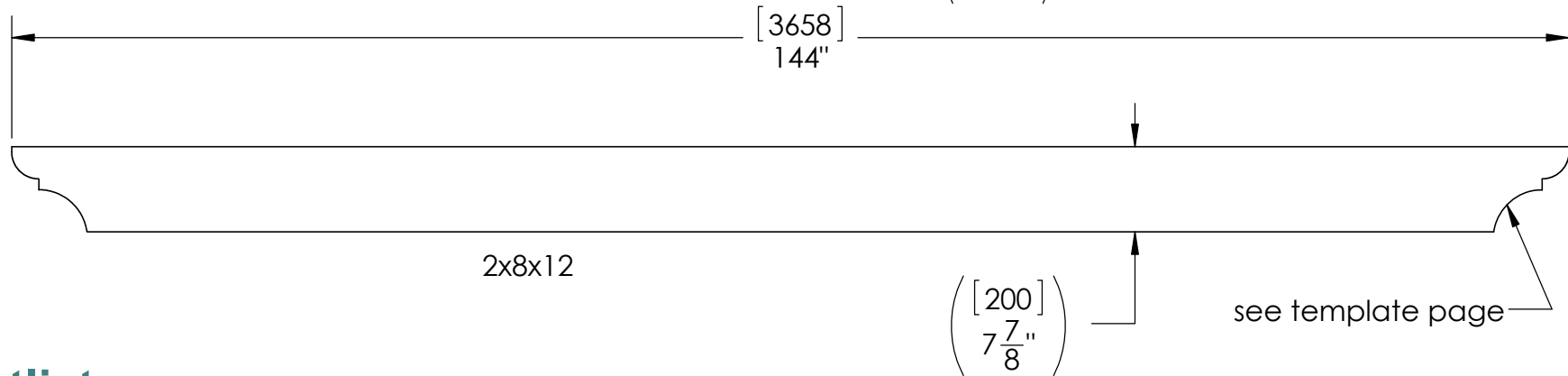
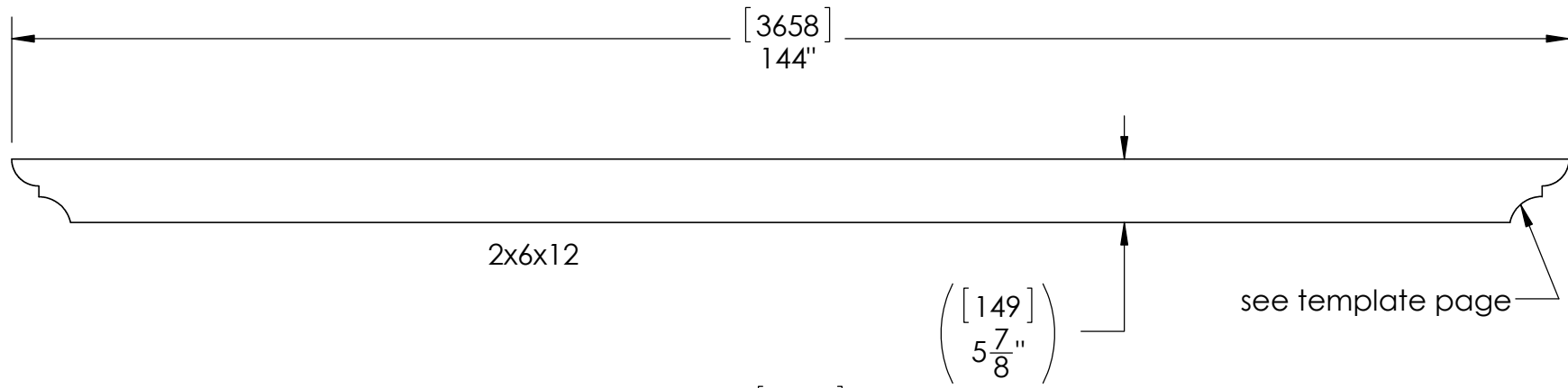
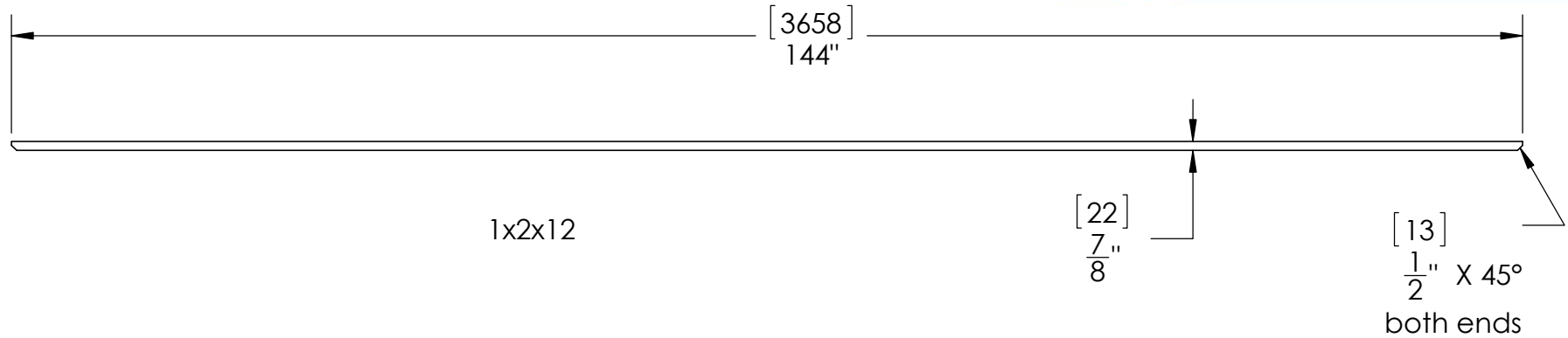
install Ozco product with
instructions provided in packaging



Suggested Tools

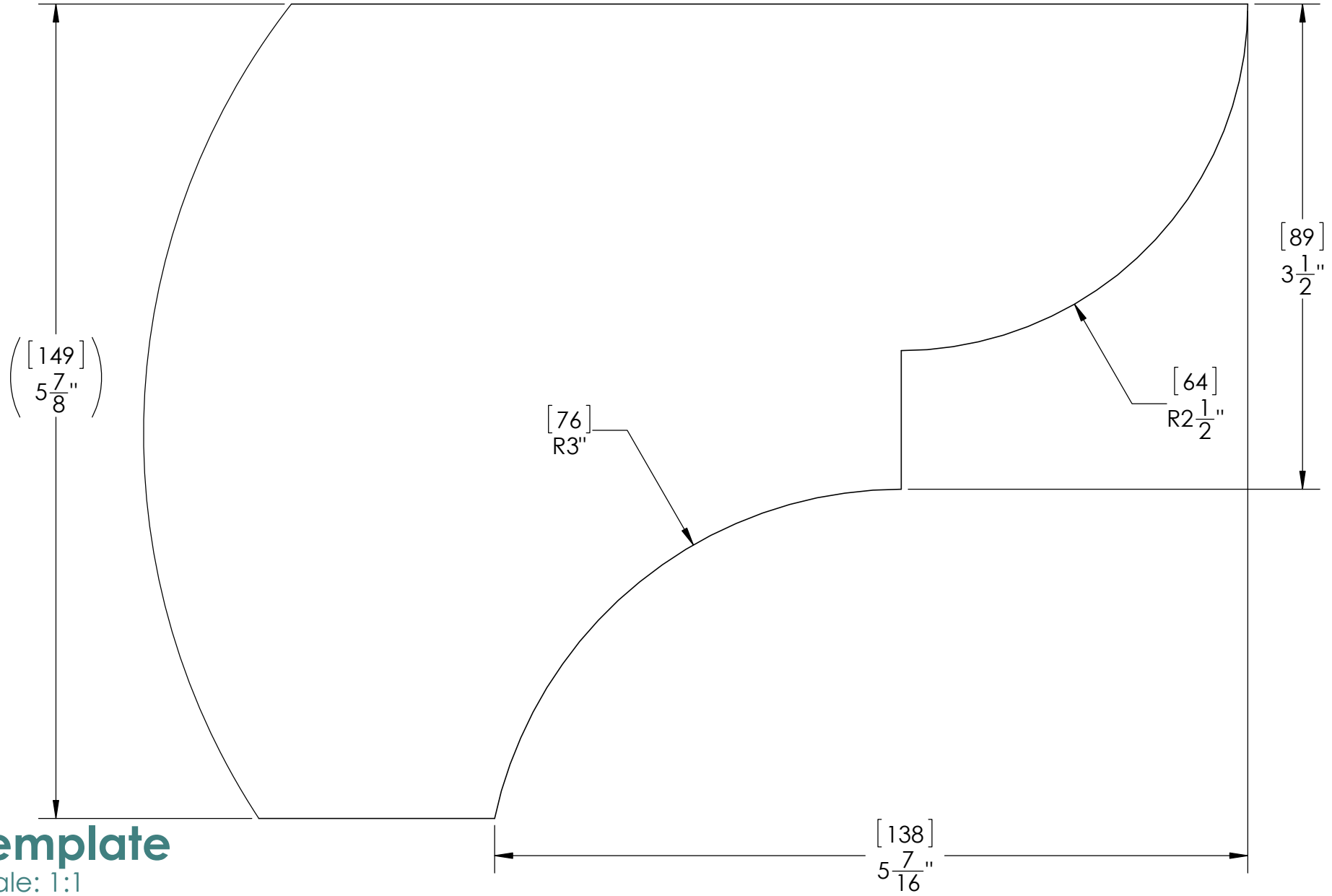
(others may be required)

Project 320 Pergola Redwood Patio Shade Structure - Free Standing



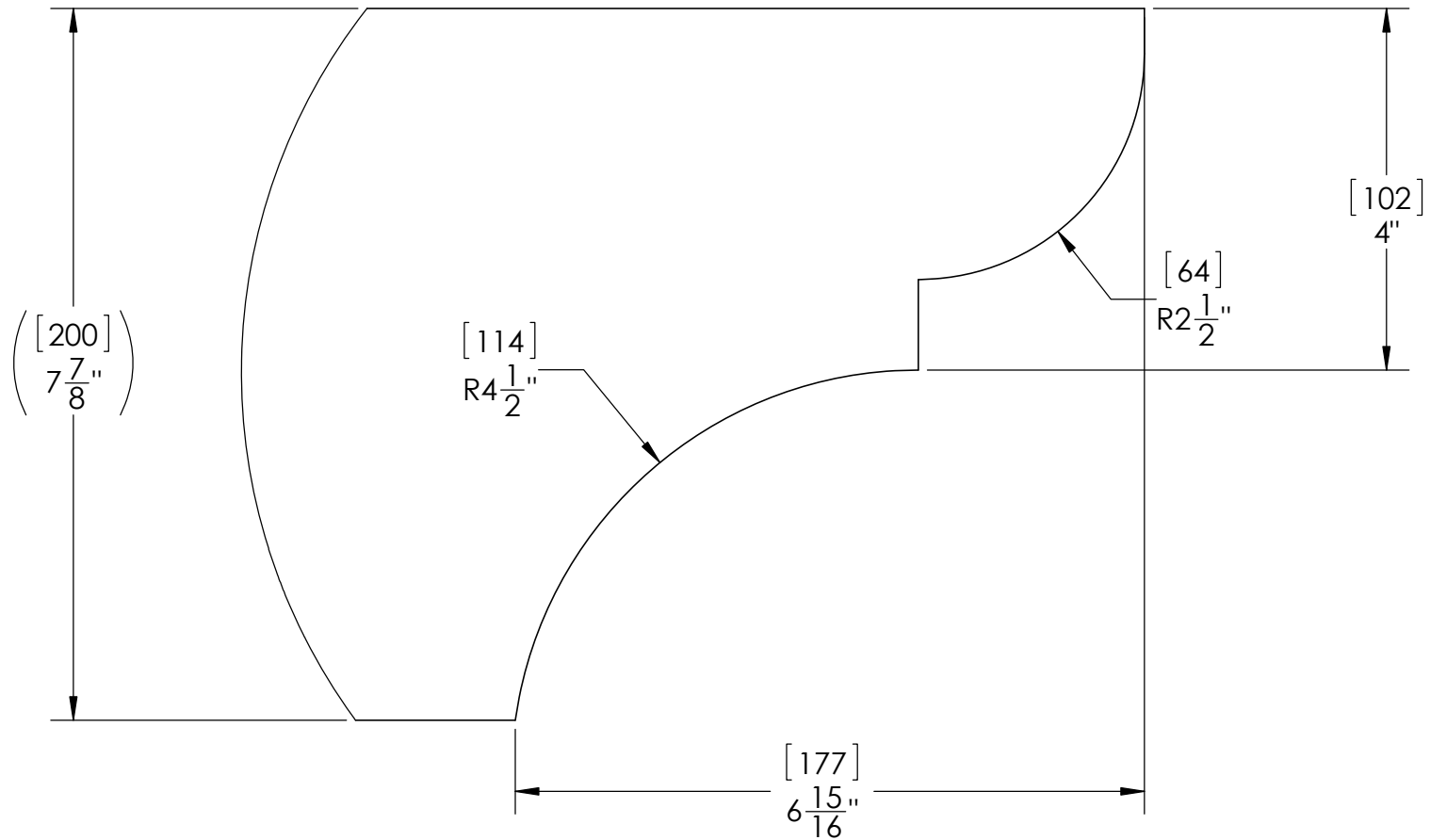
Cutlist

Project 320 Pergola Redwood Patio Shade Structure - Free Standing



Template
scale: 1:1

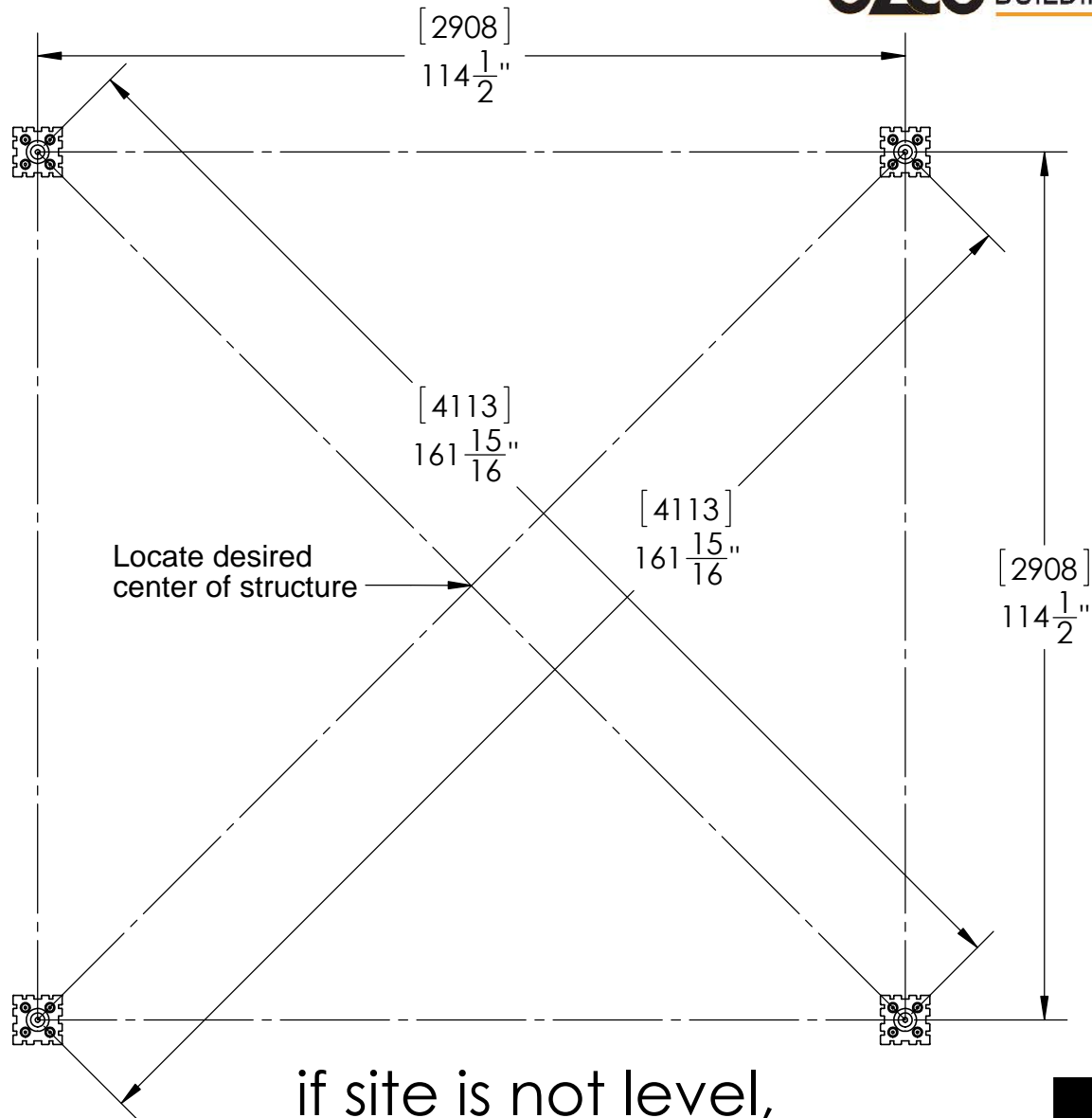
Project 320 Pergola Redwood Patio Shade Structure - Free Standing



Template

scale: 1:2

Project 320 Pergola Redwood Patio Shade Structure - Free Standing

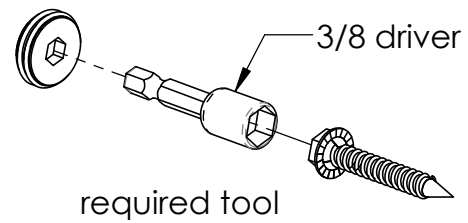
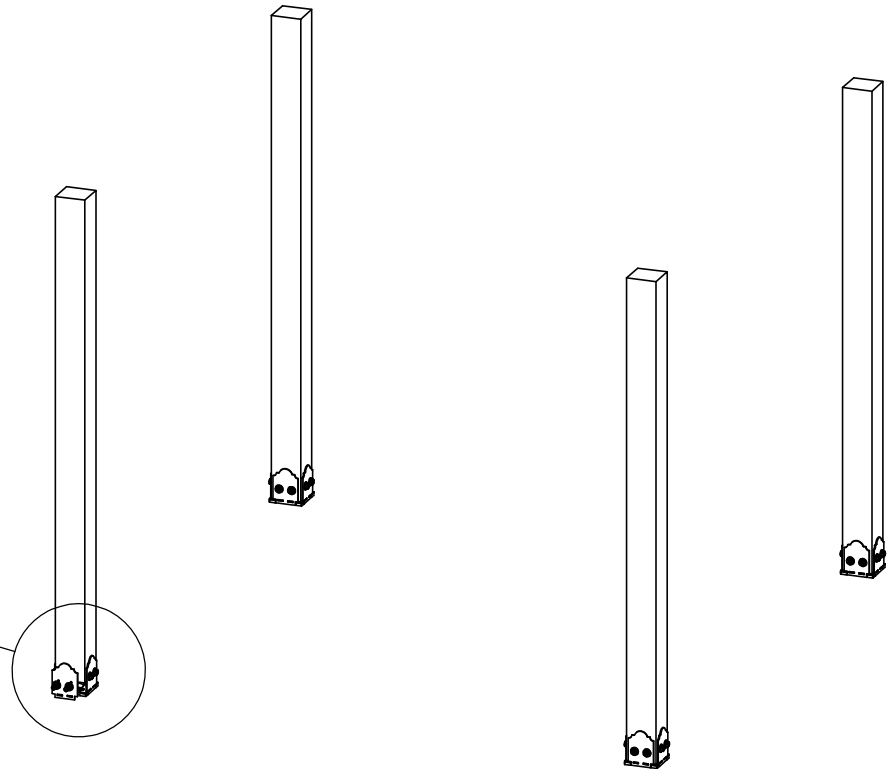
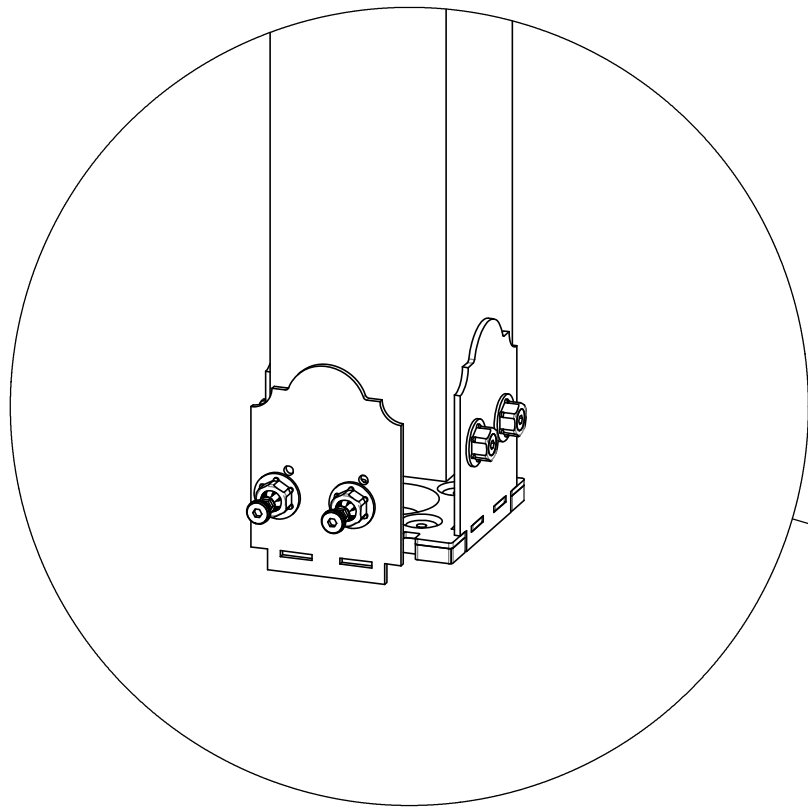


if site is not level,
see Ozco Site Leveling instruction



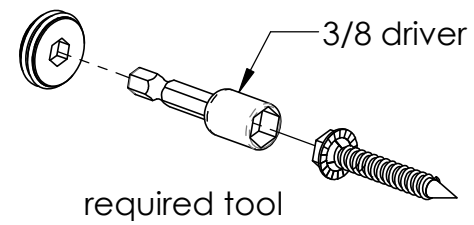
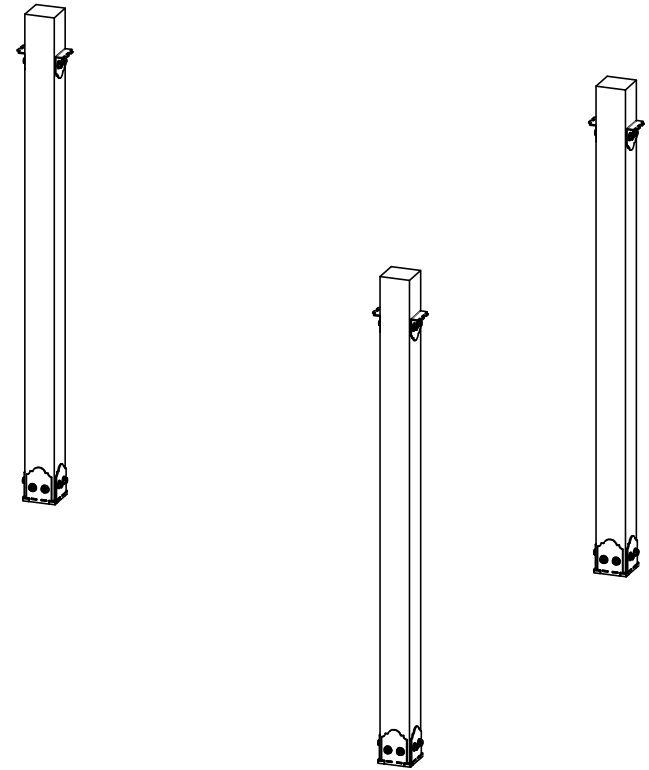
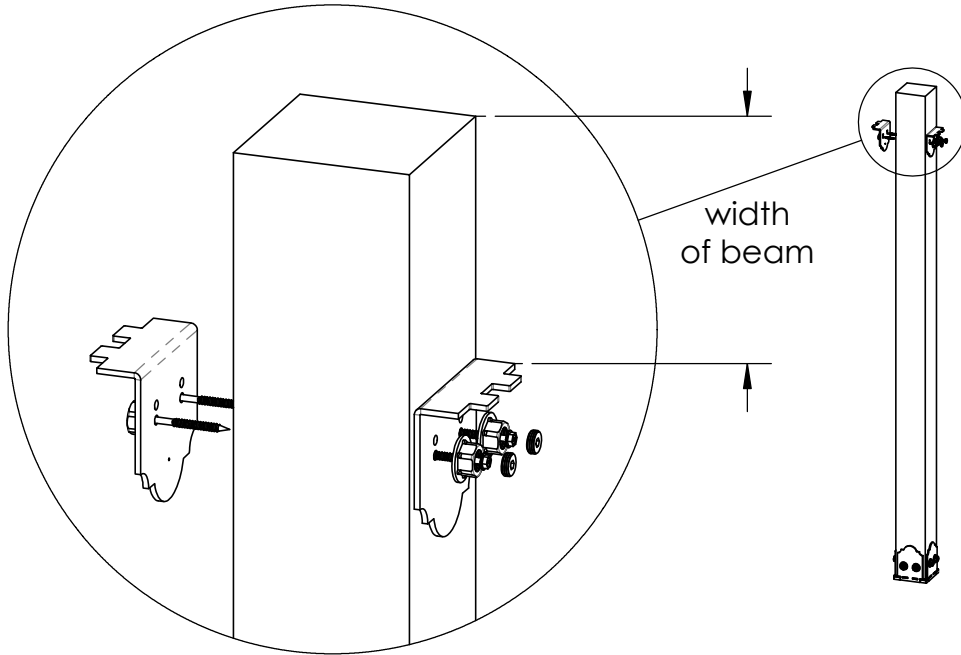
site plan

Project 320 Pergola Redwood Patio Shade Structure - Free Standing



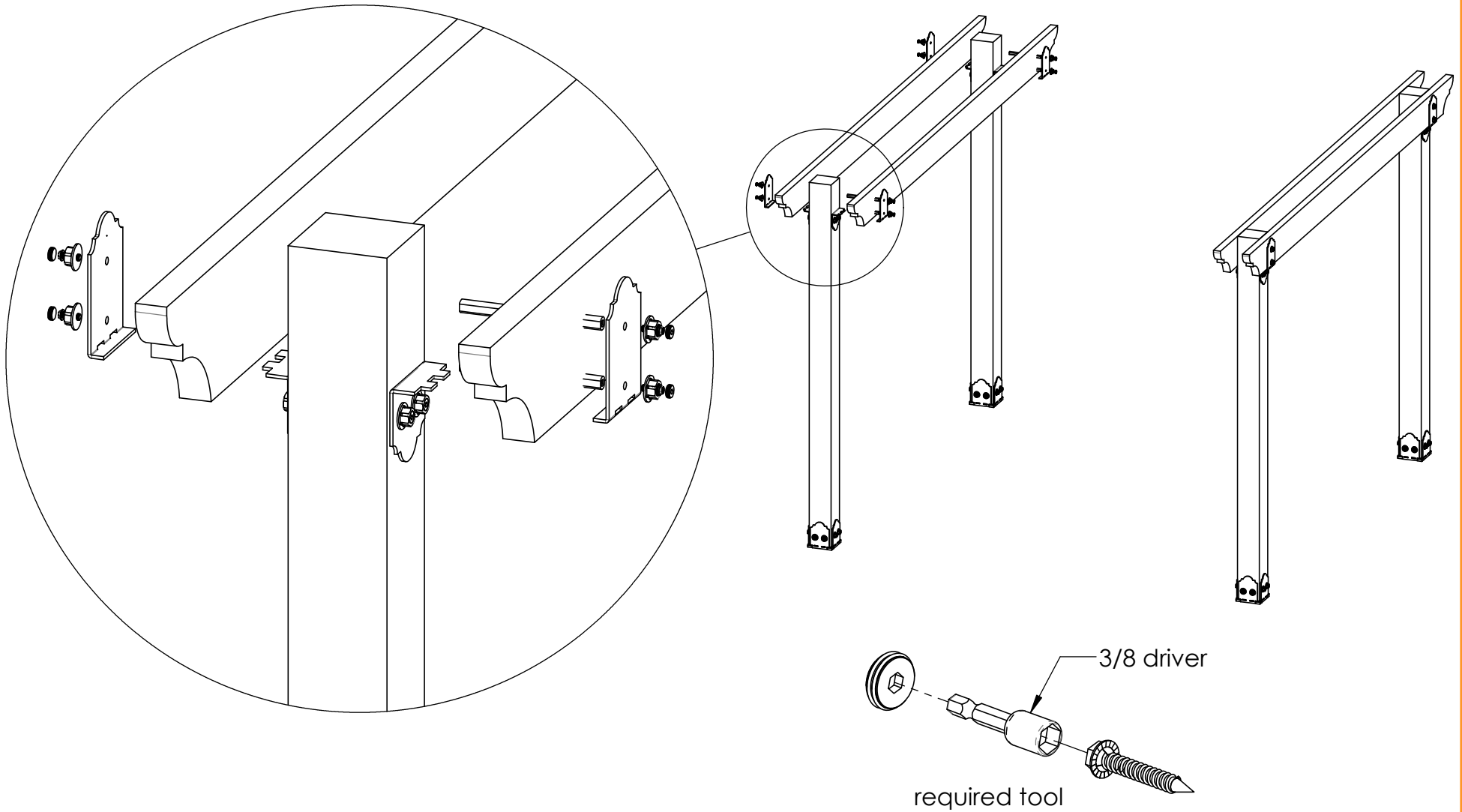
step 1

Project 320 Pergola Redwood Patio Shade Structure - Free Standing



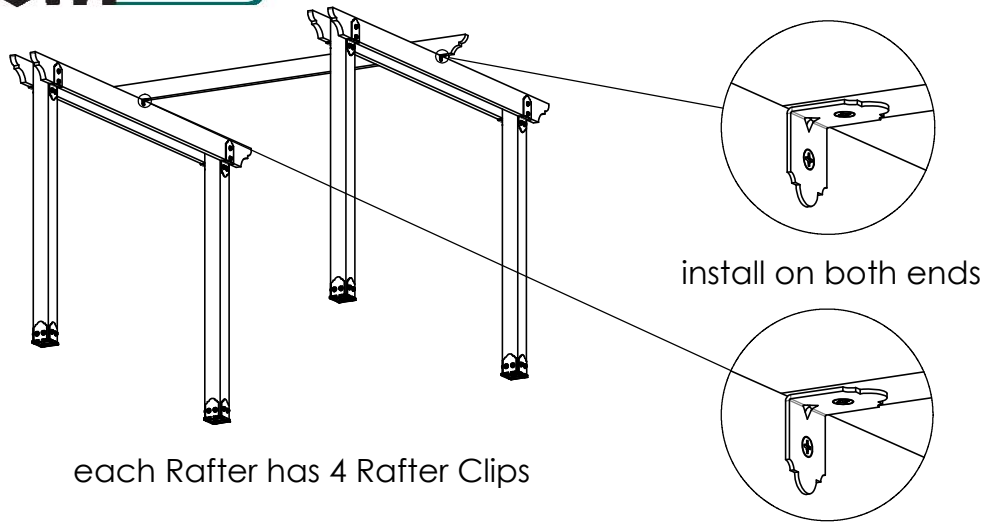
step 2

Project 320 Pergola Redwood Patio Shade Structure - Free Standing

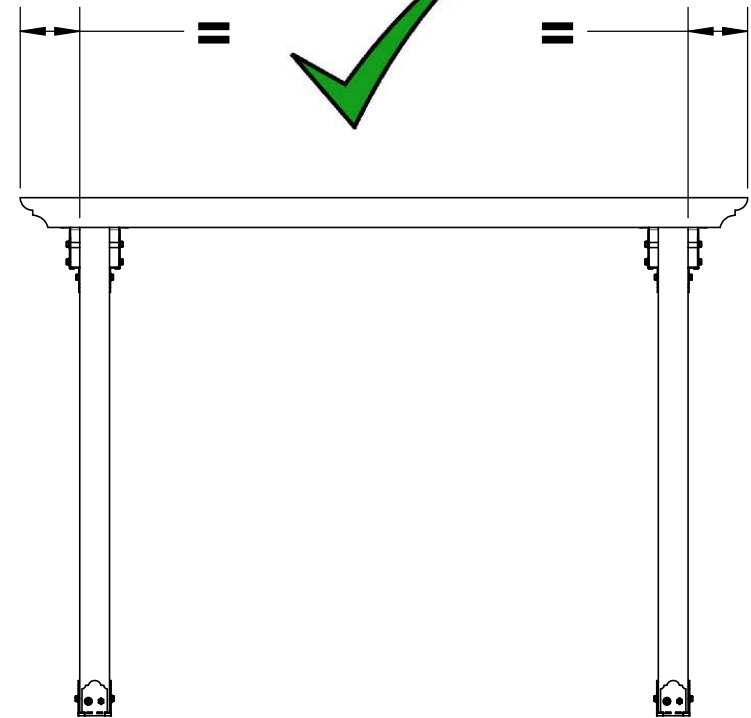
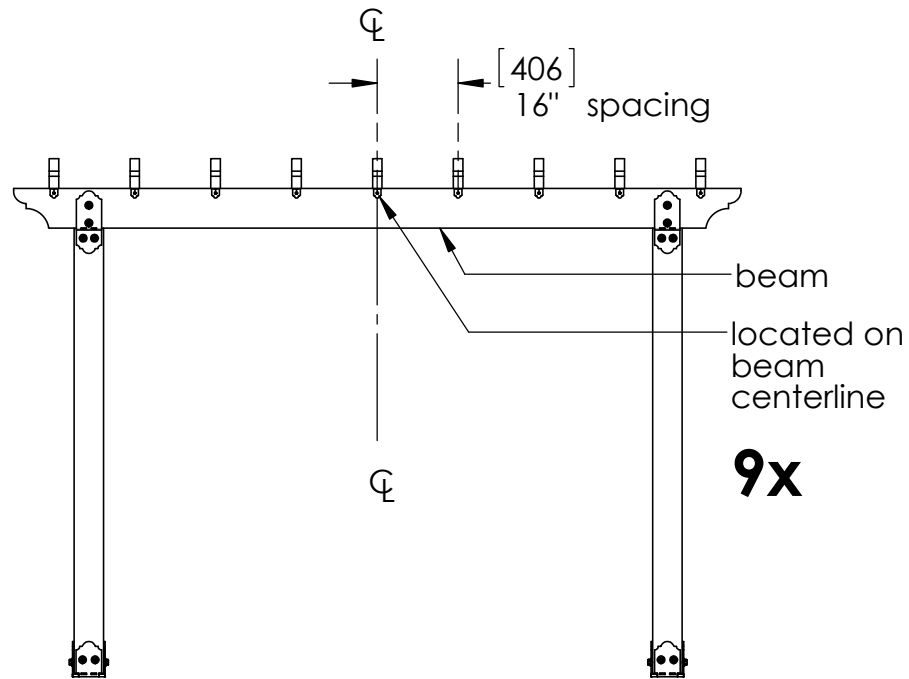
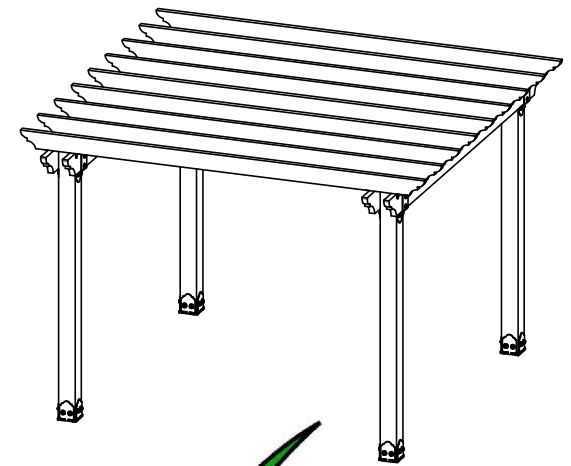


step 3

Project 320 Pergola Redwood Patio Shade Structure - Free Standing

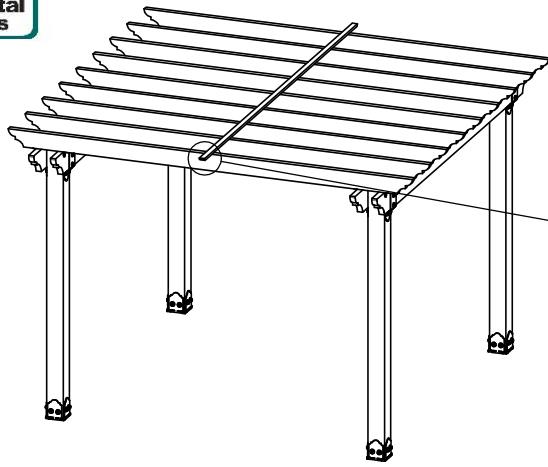


each Rafter has 4 Rafter Clips

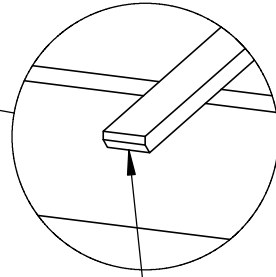


step 4

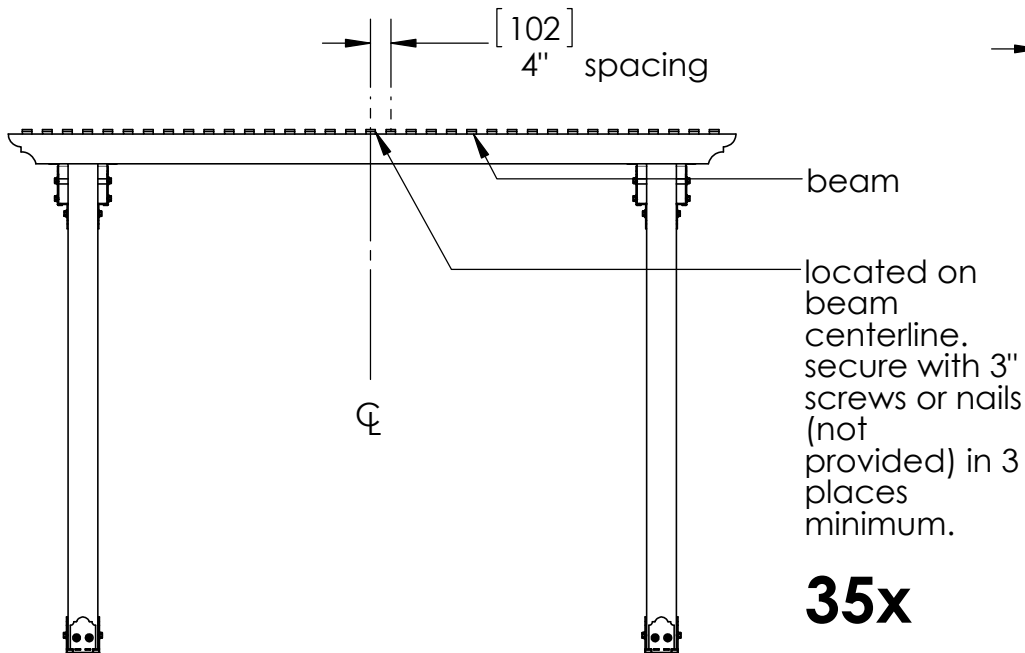
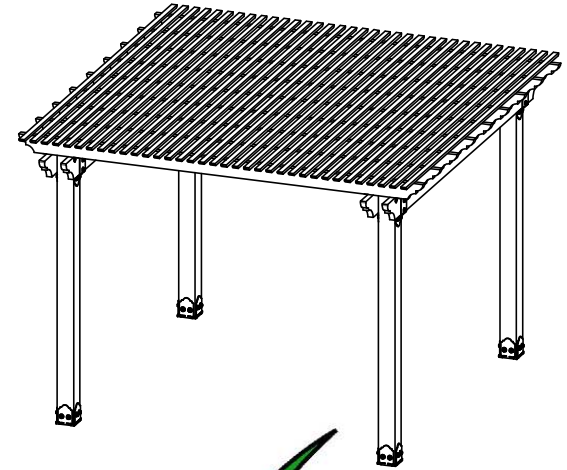
Project 320 Pergola Redwood Patio Shade Structure - Free Standing



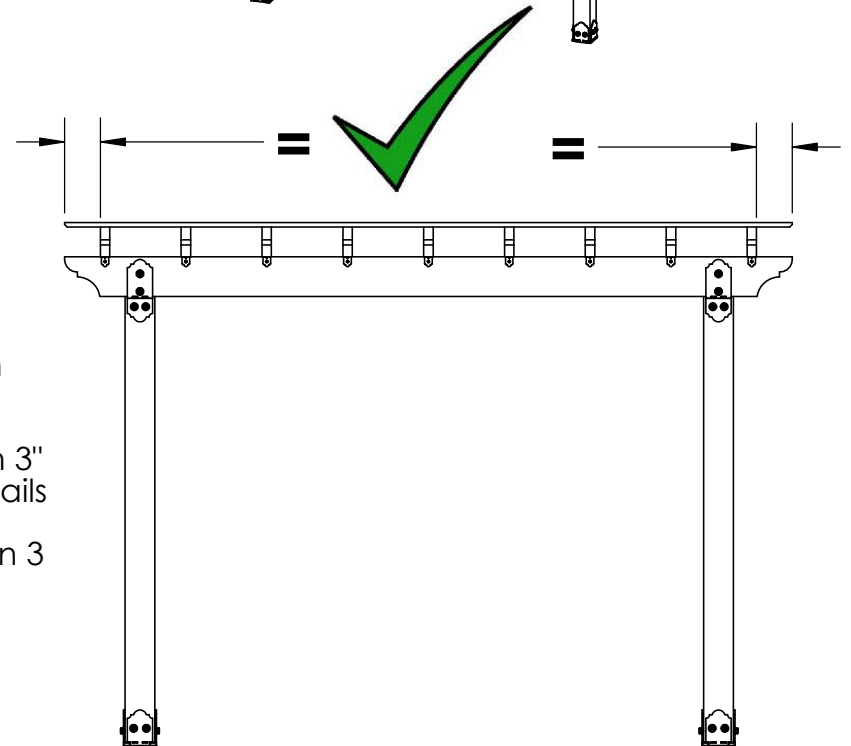
secure with
nails or screws



note
bevel
edge



35x



step 5

Project 320 Pergola Redwood Patio Shade Structure - Free Standing