

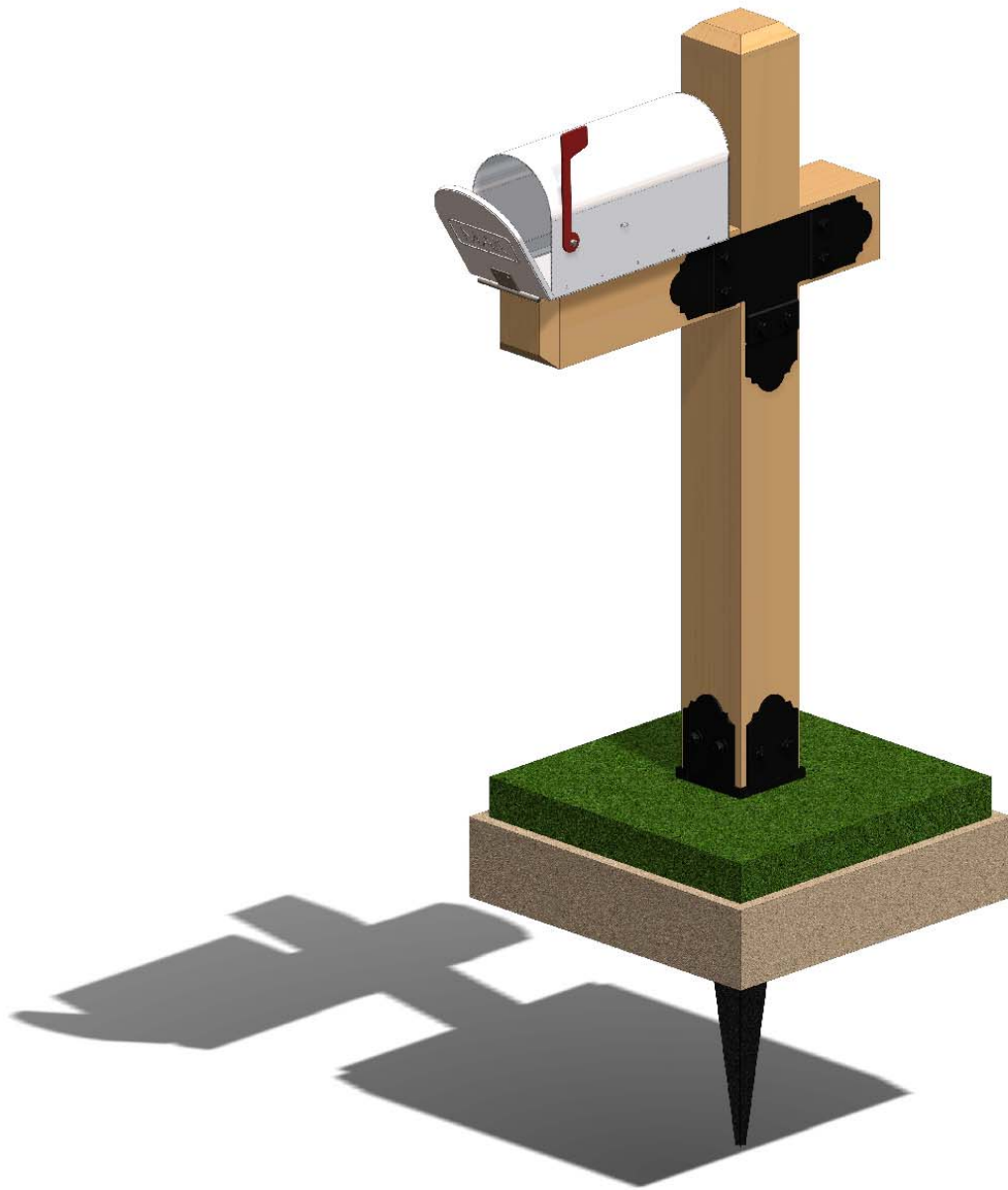
DESIGN

PURCHASE

CONSTRUCT

ENJOY

OZCO Project #110 - Estate Wooden Mailbox Post Assembly

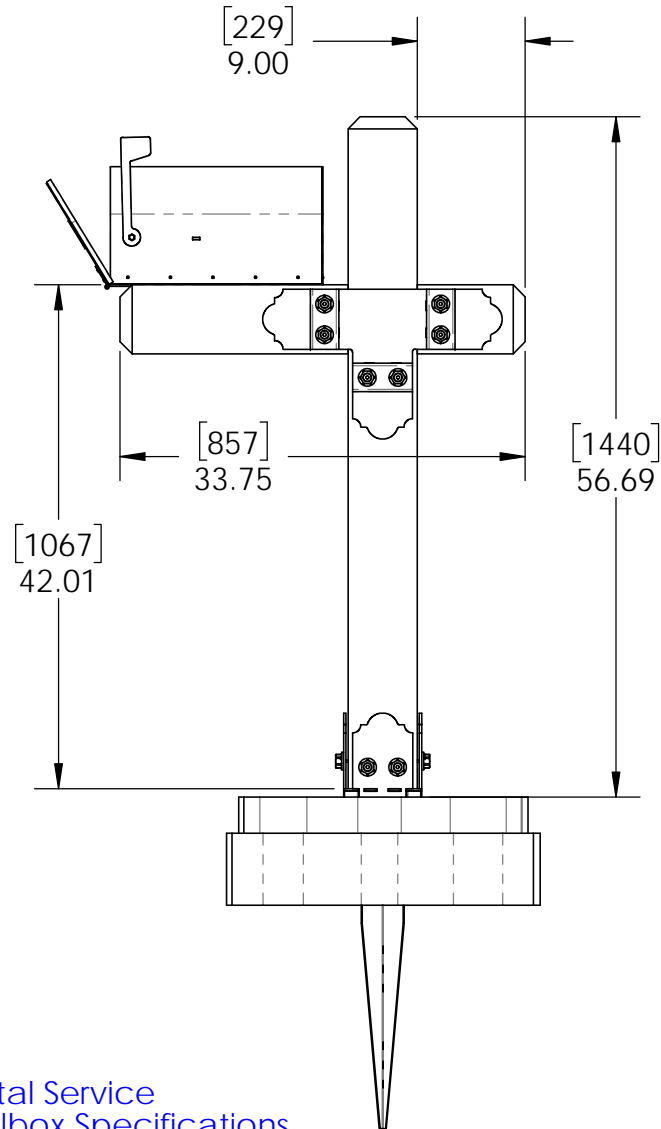
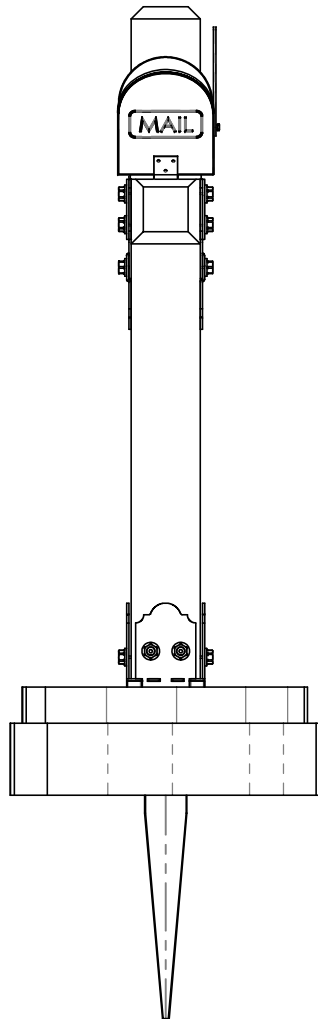


OZCO Project #110 - Estate Wooden Mailbox Post Assembly



OZCO BUILDING PRODUCTS ■■■

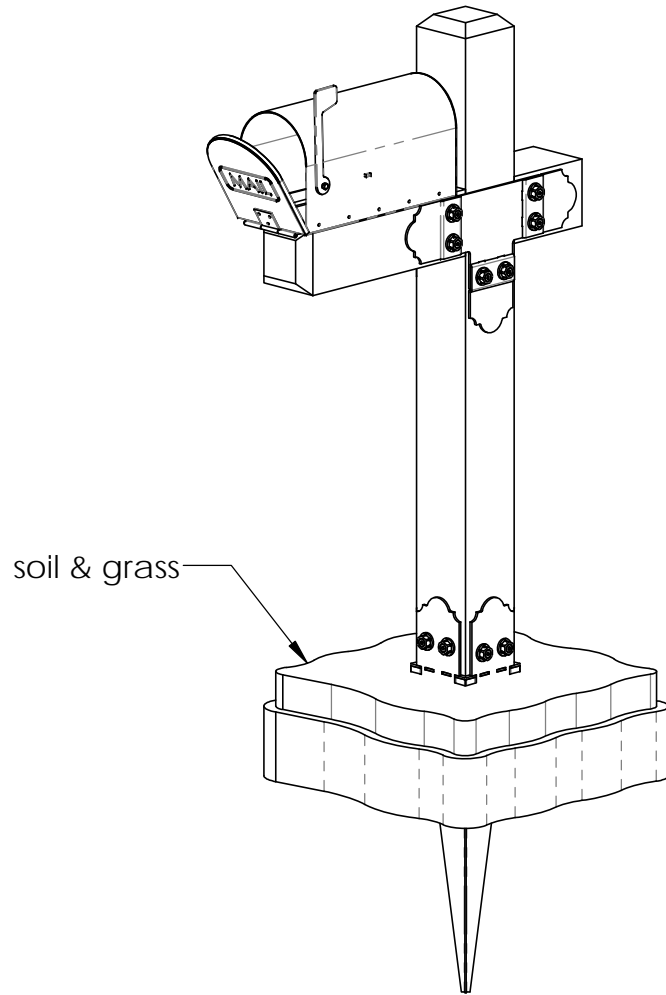
V1.00 - Installation Instructions effective May 1, 2015 and reflects information that available as of April 10, 2014. This information is updated periodically and should not be relied upon after May 1, 2015. Please visit www.OZCOBP.com to get current information



Postal Service
Mailbox Specifications

Overview

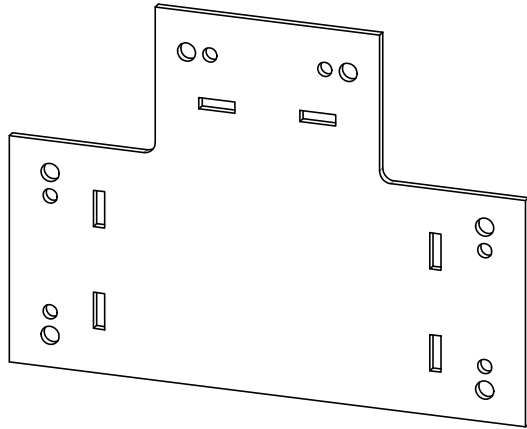
OZCO Project #110 - Estate Wooden Mailbox Post Assembly



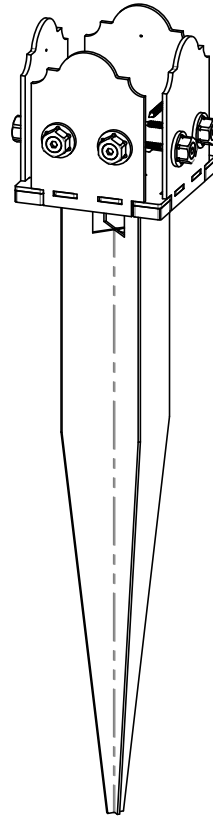
ITEM NO.	QTY.	PART NUMBER	DESCRIPTION
1	1	56633	6x6 Post Anchor Kit (6x6-OPAK-LS)
2	1	6x6 RWD Post	6x6x56.00
3	1	6x6 RWD Post	6x6x19.00
4	1	6x6 RWD Post	6x6x9.00
5	1	mailbox	
6	1	56612	"T" Tie Plate (TTP)
	1.5	56611	Truss Accent (TA-LS)
	0.08	56625	OWT Timber Screw 1-3/4"

Bill of Materials

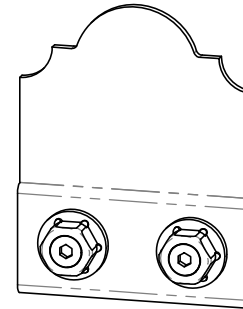
OZCO Project #110 - Estate Wooden Mailbox Post Assembly



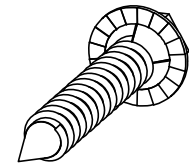
56612



56633

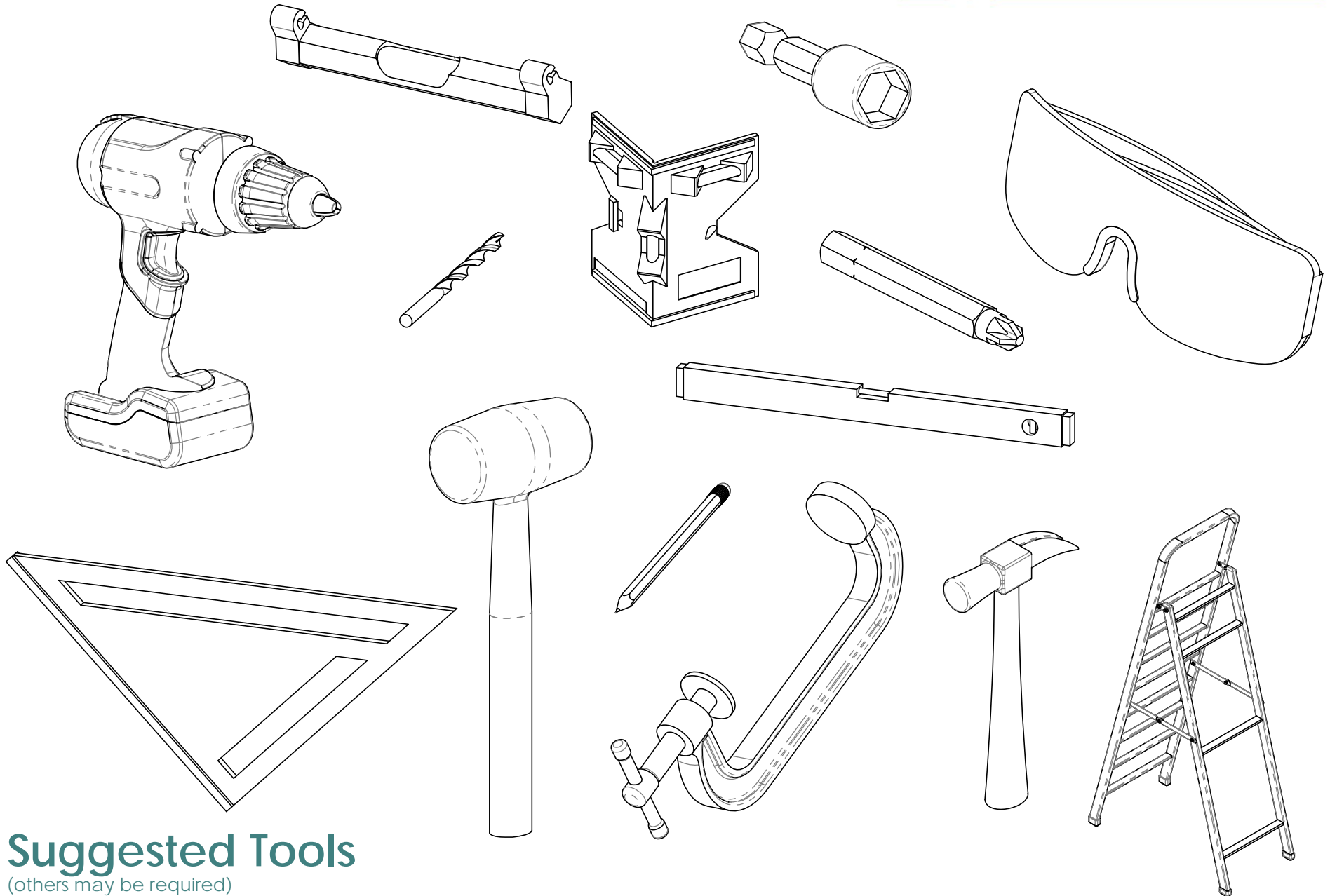


56611



56625

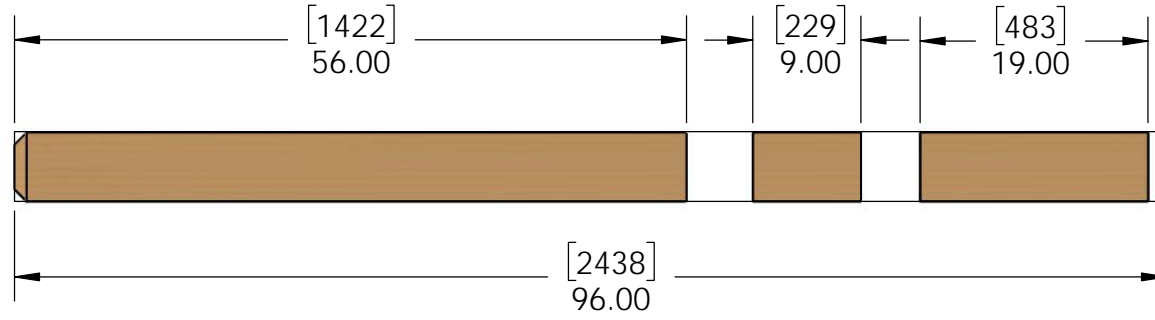




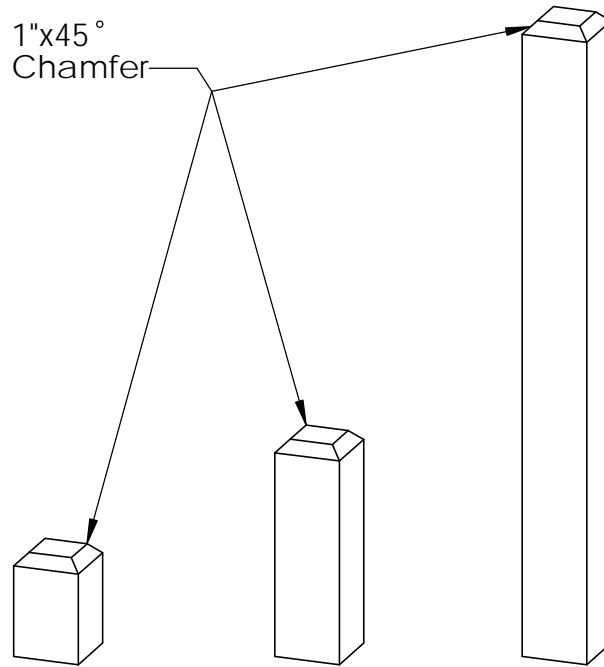
Suggested Tools

(others may be required)

OZCO Project #110 - Estate Wooden Mailbox Post Assembly

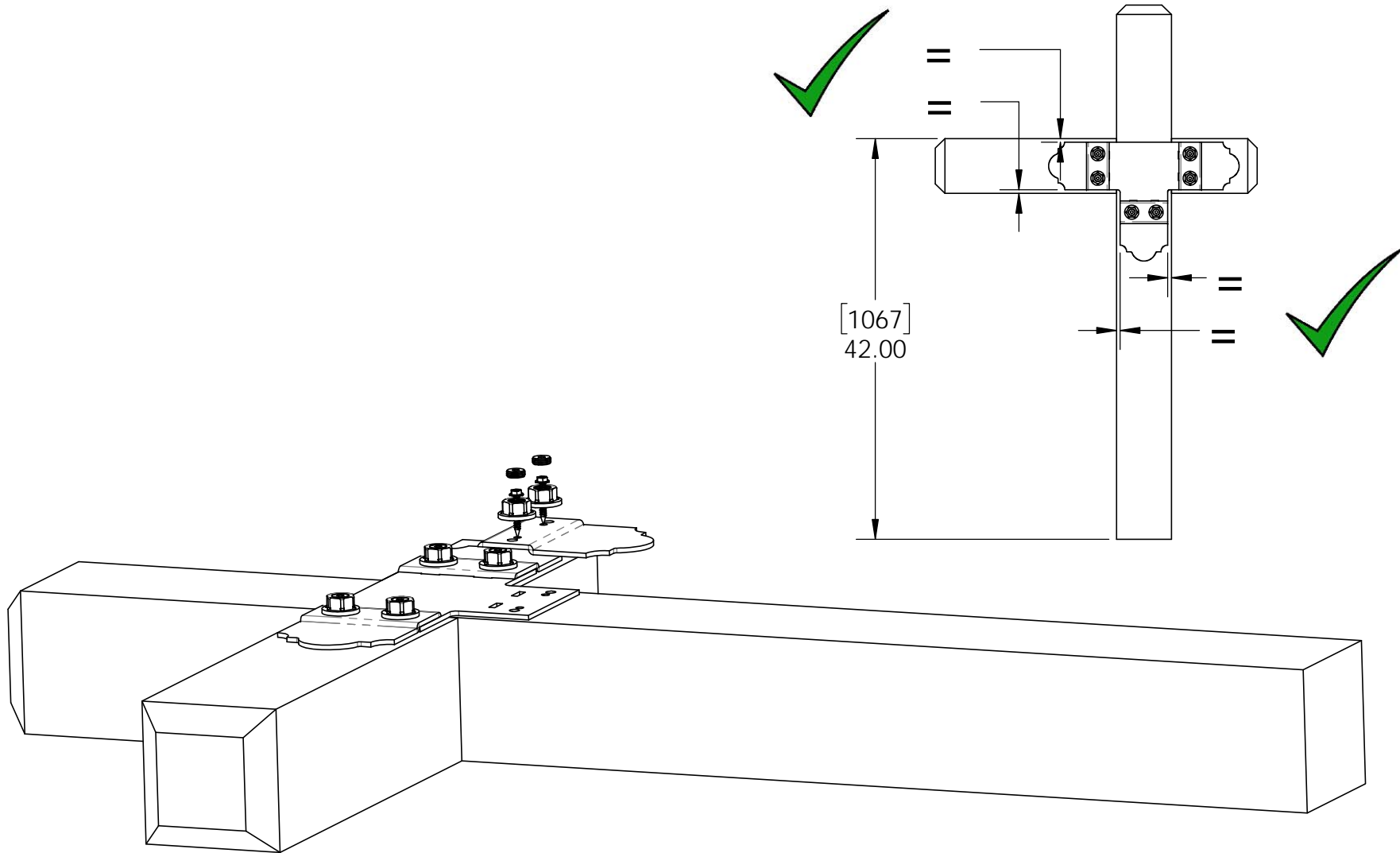


6x6x8 Post
(cut all wood from 1 post)



Cutlist

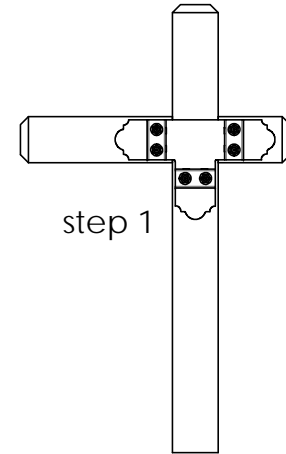
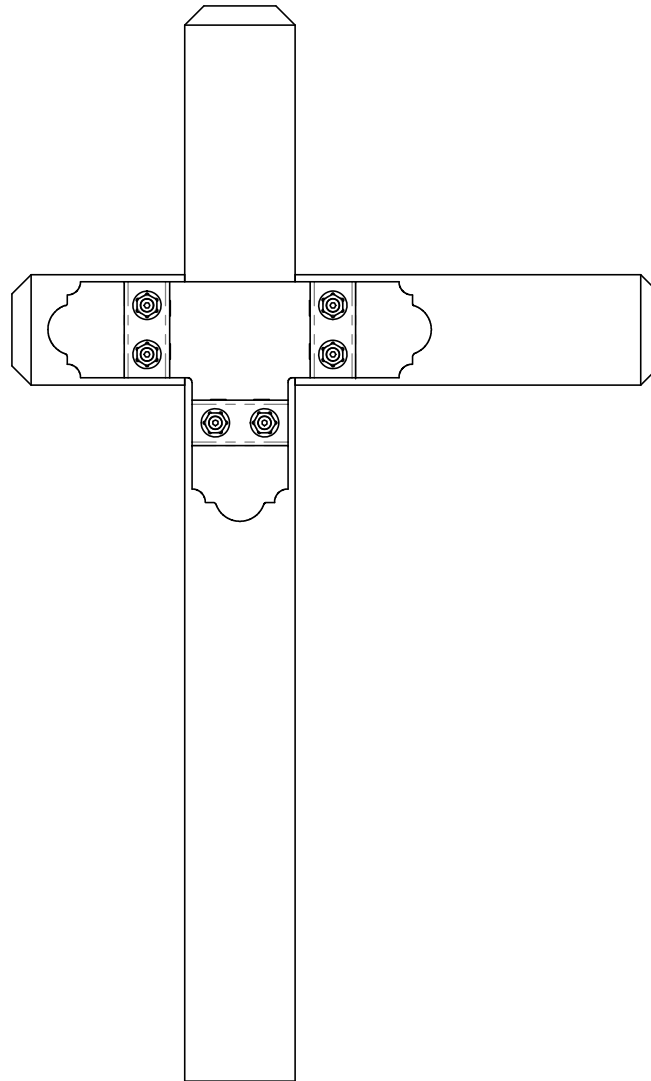
OZCO Project #110 - Estate Wooden Mailbox Post Assembly



assemble on flat non-marring surface

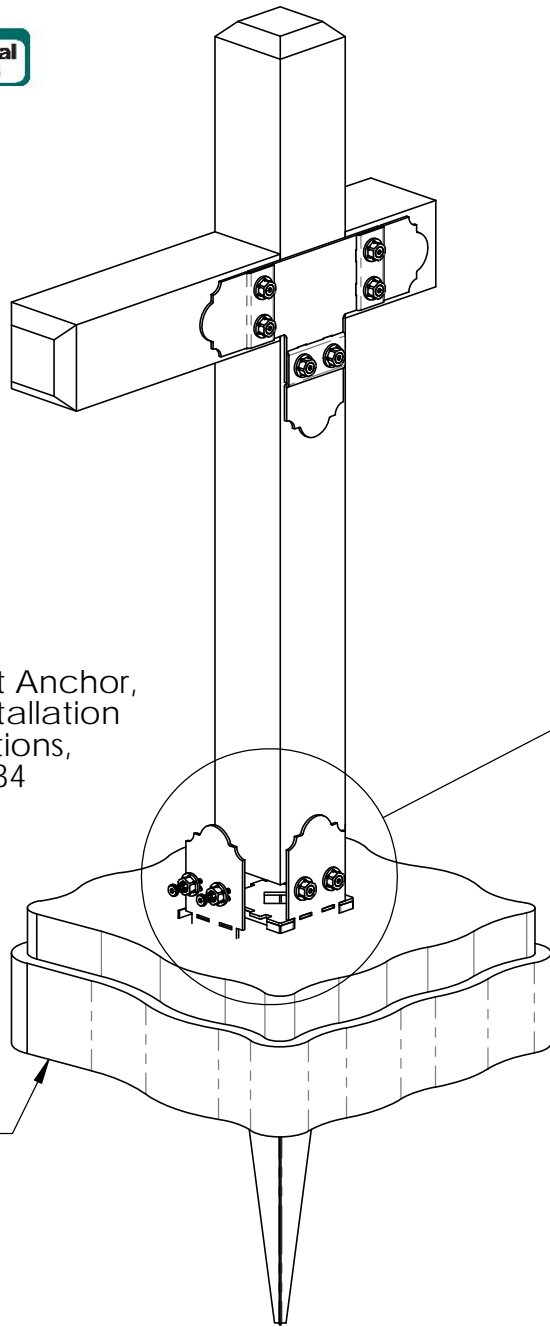
step 1

OZCO Project #110 - Estate Wooden Mailbox Post Assembly



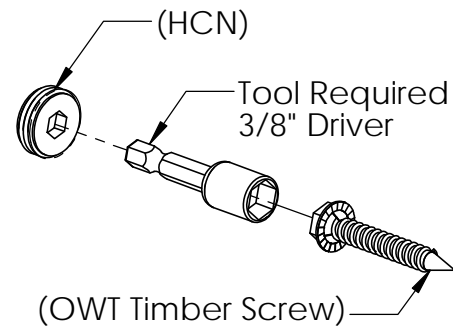
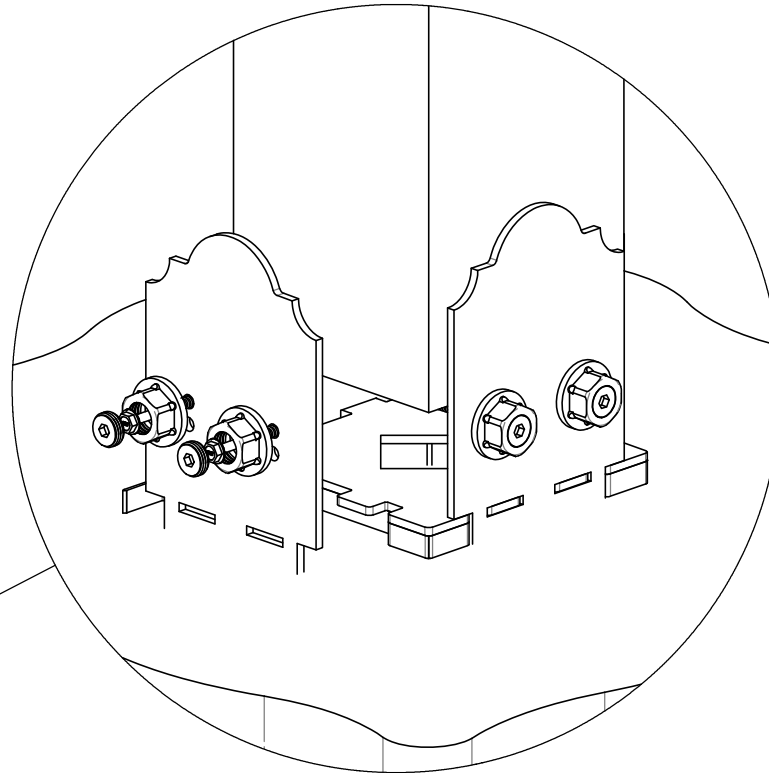
step 2
repeat step 1 on opposite side

OZCO Project #110 - Estate Wooden Mailbox Post Assembly



for Post Anchor,
see Installation
Instructions,
56632-34

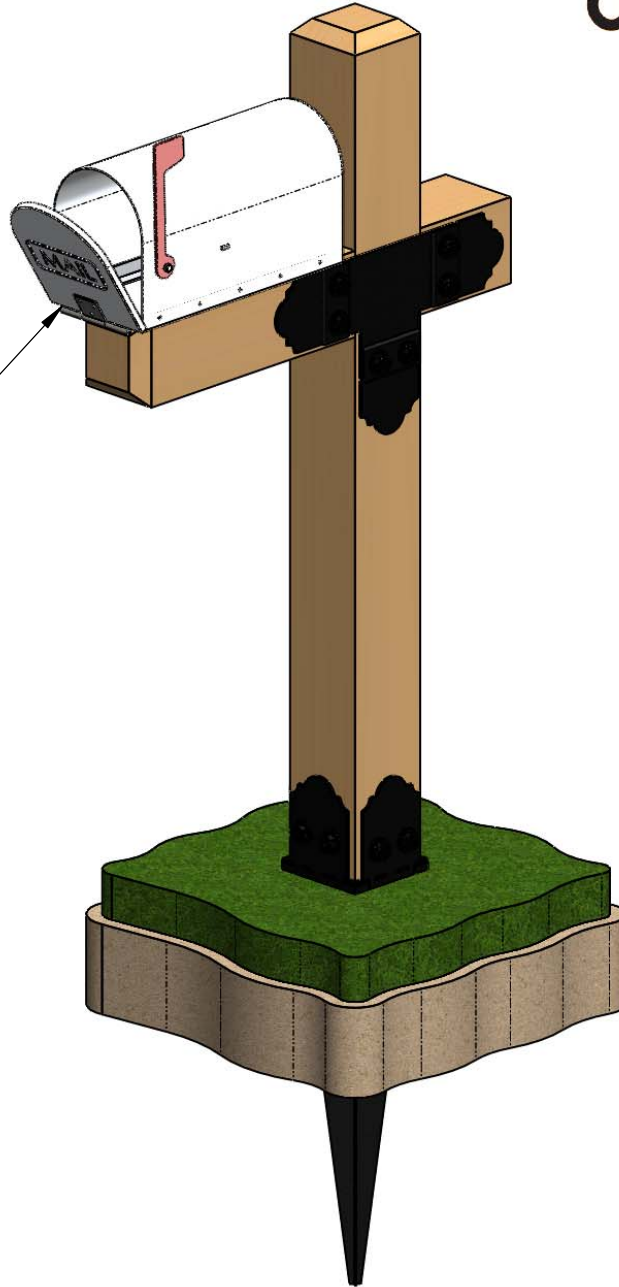
soil & grass



step 3

OZCO Project #110 - Estate Wooden Mailbox Post Assembly

install mailbox per
manufacturers instructions



step 4

OZCO Project #110 - Estate Wooden Mailbox Post Assembly